

## Single-Post Brake Caliper

### VC500

Nexen's VC500 caliper brake provides spring-actuated braking and clamping force for demanding industrial machinery. The VC500 maintains its high torque rating throughout the life of the friction facing, because the rear linkage design actually increases clamping force as the facings wear. This high performance unit is compact in size to fit into tight spaces on automotive conveyor systems, large converting machines, saw mills, and many other applications.

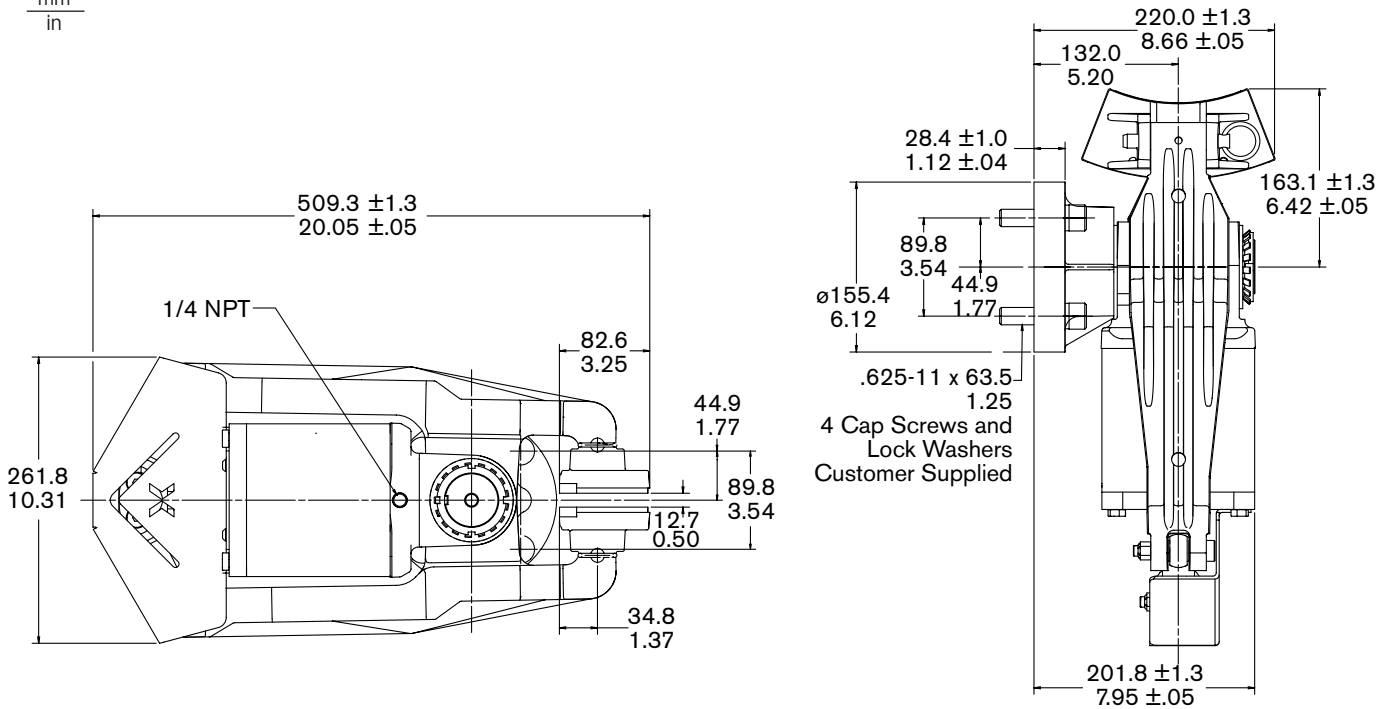
Maintenance managers and machine builders will appreciate the time savings this unit provides, coming fully assembled and calibrated for easy installation. Quick-release pins on friction facing shoes reduce downtime. With safety and aesthetics in mind, Nexen's engineers also added guards, redundant constraints and corrosion resistant paint.



- High torque: 4785.9 Nm [42,350 in-lb]\*  
- Release pressure at 4.1 bar [60 psi]
- Long cycle life  
- High performance piston seal  
- Optimized springs
- Compact unit fits in tight spots  
- 80% smaller than previous models
- Zero reduction in brake torque over the life of the facings
- Quick-release facing pins reduces down-time
- Spring actuated for safety
- Simple installation with no assembly required
- Durable, corrosion resistant paint
- Safety constraints and guards

# VC500, Approximate Dimensions

mm  
in

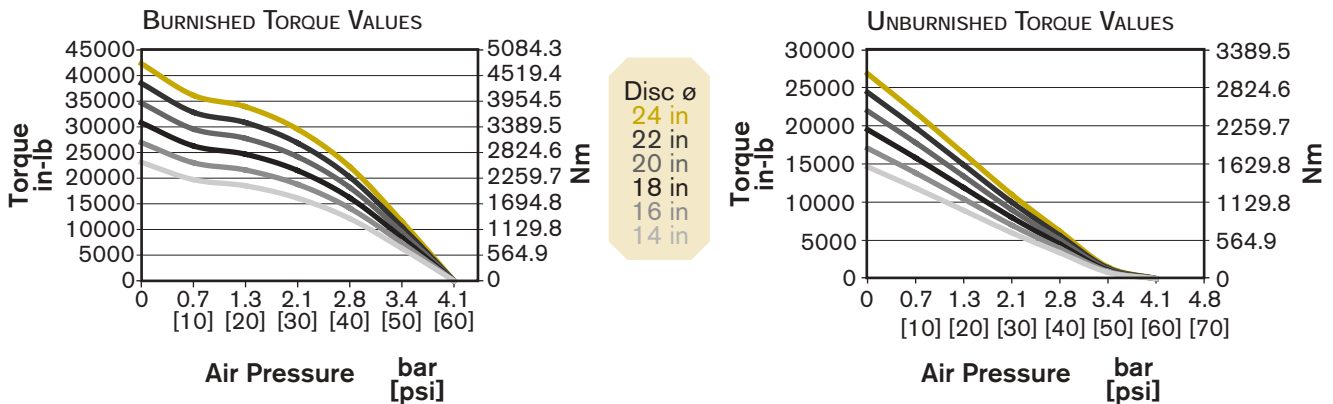


## Specifications

Model	Product Number	Static Torque*	Disc Diameters	Minimum Disengagement Pressure	Maximum Air Pressure	Shipping Weight
VC500	837450	4785.9 Nm [42,350 in-lb]	36–61 cm [14–24 in]	4.1 bar [60 psi]	8.3 bar [120 psi]	50 kg [110 lb]

\*Maximum static torque when burnished with a 24inch disc.

## Brake Torque vs. Air Pressure



In accordance with Nexen's established policy of constant product improvement, the specifications contained in this document are subject to change without notice. Technical data listed in this document are based on the latest information available at the time of printing and are also subject to change without notice. For current information, please consult: [www.nexengroup.com](http://www.nexengroup.com)

**nexen**

Nexen Group, Inc.  
560 Oak Grove Parkway  
Vadnais Heights, MN 55127

800.843.7445  
Fax: 651.286.1099  
[www.nexengroup.com](http://www.nexengroup.com)



MEX (55) 53 63 23 31 MTY (81) 83 54 10 18  
QRO (442) 1 95 72 60 [ventas@industrialmagza.com](mailto:ventas@industrialmagza.com)

ISO 9001 Certified

©2002 Nexen Group, Inc.  
21171-B-1003